

Specification sheet LX 1904

LORO-X DUOSTREAM High performance cascade drainage roof and roof terrace

Main drainage

Gravity flow

Silent

| | |
|--------------------------|-----------------------------|
| Discharge rate: | up to max. 8.0 l/sec |
| Water height: | 35 mm |
| Roof penetration: | - |
| Diameter: | DN 100 |
| LX-Number: | LX 1904 |
| Weir height: | 0 mm |
| Drain: | ventilated |
| Downpipe: | ventilated |
| Downpipe height: | min. 2.5 m |
| Drainage: | into ground pipe |
| Flange: | clamping flange |



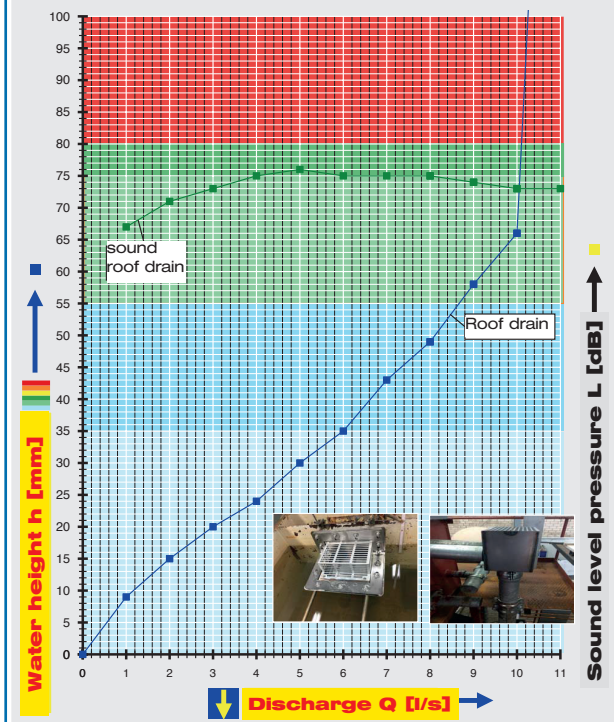
Please take note of the whole "STREAM" including all levels while designing the system

LX 1904 Piece list

- 1 x Art.-No. 13543.100X High performance roof
- 1 x Art.-No. 01401.100X Pipe with one socket
- 1 x Art.-No. 01401.050X Pipe with one socket
- 1 x Art.-No. 13426.D0DX Collector box roof
- 1 x Art.-No. 13221.D0BX Deflection

- 1 x Art.-No. 13541.100X High performance roof terrace
- 1 x Art.-No. 13428.DBDX Collector box terrace
- 1 x Art.-No. 55154.100X Stand pipe high performance safety overflow
- 4 x Art.-No. 00911.050X Sealing elements
- 2 x Art.-No. 00911.100X Sealing elements
- 1 x Art.-No. 00986.000X Lubricant

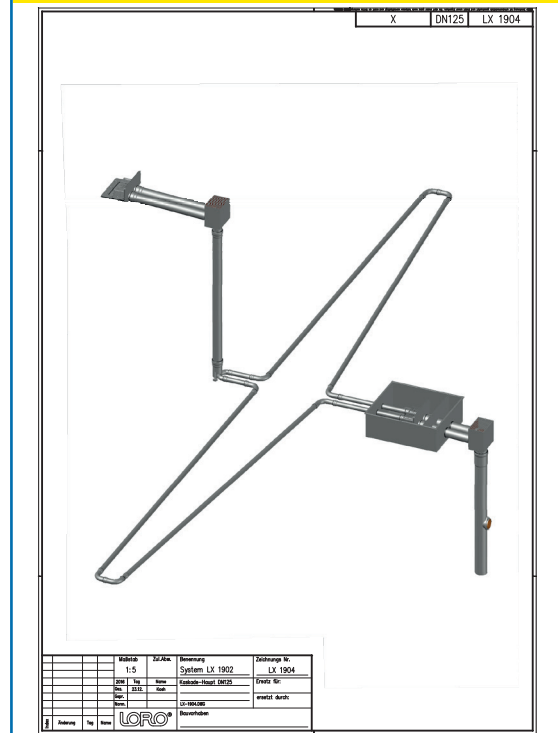
hQ - Discharge curve



System power

| Water height | mm | 10 | 15 | 20 | 25 | 30 | 35 | 40 | 45 | 50 | 55 | 60 | 65 | 70 | 75 | 80 | 85 | 90 | 95 | 100 |
|------------------|-------|-----|-----|-----|-----|-----|-----|-----|-----|-----|-----|-----|-----|----|----|----|----|----|----|-----|
| Discharge | l/sec | 1,2 | 2,0 | 3,0 | 4,2 | 5,0 | 6,0 | 6,6 | 7,4 | 8,1 | 8,7 | 9,2 | 9,9 | - | - | - | - | - | - | - |

CAD



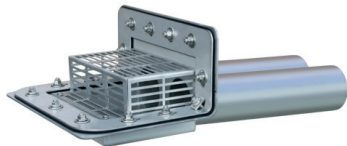
System shape

LORO-X DUOSTREAM High performance cascade drainage for roof and roof terrace

LX1904-1X

Series 43
DUOSTREAM High performance
 - roof -
Main drainage

Drain: Art.-No. 13543.100X
 Weight: 12.30 kg



Series 43
DUOSTREAM High performance
 - roof terrace -
Main drainage

Drainage of roof terrace (DN 100)
 Feed-through of the upper floors (DN 50)
 Drain: Art.-No. 13541.100X
 Weight: 13.90 kg



Collector box - roof -

Art.-No. 13426.D0DX
 Weight: 5.3kg



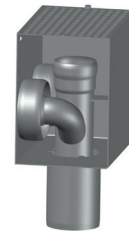
Deflection for roof terrace
 from pipe-in-pipe downpipe (DN100/50)
 into double pipe (DN 50/50)
 under the paving slab

Art.-No. 13221.DBBX
 Weight: 2.0 kg



Collector box - roof terrace -
 with reducing double branch

Art.-No. 13428.DBDX
 Weight: 6.7 kg



High performance safety overflow
 with rain standpipe
 Art.-No. 55154.100X
 Weight: 6.6 kg



LORO-X pipe with one socket,
 made of galvanized steel
 250 mm long
 Art.-No. 01401.050X
 Art.-No. 01401.100X



LORO-Sealing elements

Art.-No. 00911.050X
 Art.-No. 00911.100X